

Application Solution - DC Pump Drives

Dart Controls offers DC drives with the essential features required for water / wastewater and chemical feed applications. These drives integrate easily with PLC / SCADA systems providing 4-20mA signals for pump set speed. Advanced Digital DC drives offer verified actual speed feedback, diagnostic and process alarms and much more....

TRADITIONAL DC DRIVE

The 253G-200E-7 is our most popular DC drive. This enclosed NEMA 4 / 4X drive includes a dent / shatter resistant GE polymer plastic cover. This dual source voltage drive offers an adjustable HP range from 1/8 to 2HP – one drive covers all your small pump needs. This model includes an integral MAN / OFF / AUTO mode switch conveniently mounted in the cover – allowing for both local speed pot and remote 4-20mA speed control.



ADVANCED DIGITAL DC DRIVE

The MD *Plus* Series is our latest Digital DC drive offering. This μ Processor-based control offers many unique features not found in any other DC drive – digital closed loop PID control, integral programmable display, auto-sensing dual voltage source power, isolated 4-20mA input (set speed) and output (actual speed), programmable alarm / drive status / health outputs, multiple preset speed operation, and much more.....



Dart Controls, Inc. 5000 W. 106th Street Zionsville, IN USA
sales@dartcontrols.com (317) 873-5211 www.dartcontrols.com

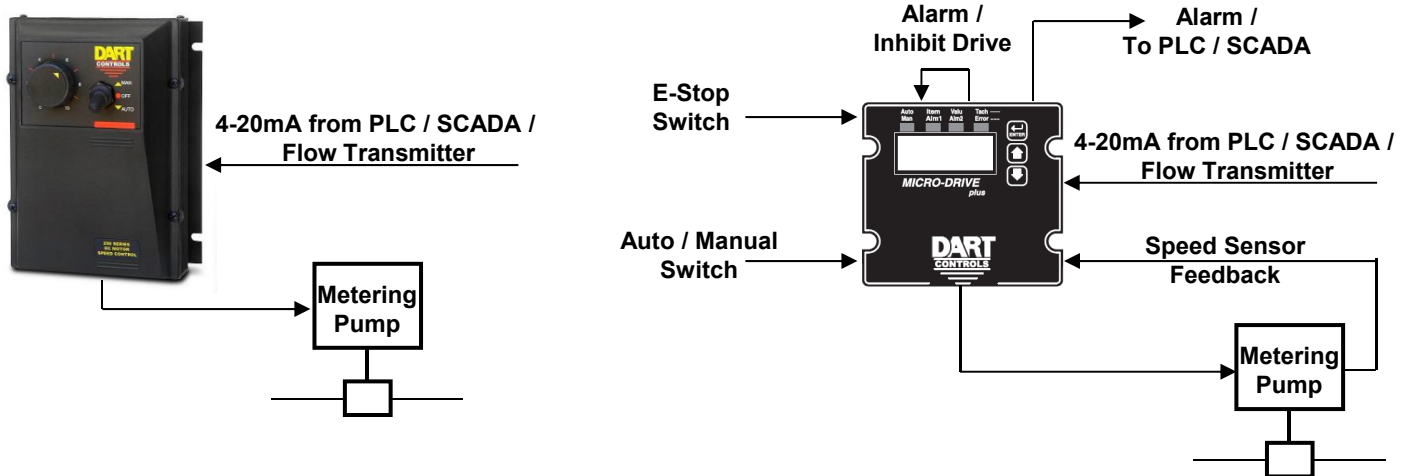


SPECIFICATIONS

| | 253G-200E-7 | MD40P | MD50P | MD50E | MD40P-420 | MD50P-420 | MD50E-420 |
|----------------------------|---------------------|--|-------------|-------------|---|-------------|-------------|
| Voltage In ¹ | 120/240 VAC | 120/240 VAC | 120/240 VAC | 120/240 VAC | 120/240 VAC | 120/240 VAC | 120/240 VAC |
| Voltage Out | 90/180 VDC | 90/180 VDC | 90/180 VDC | 90/180 VDC | 90/180 VDC | 90/180 VDC | 90/180 VDC |
| HP | 1/8 – 2HP | 1/50 – 1HP | 1/50 – 2HP | | | | |
| Enclosure | NEMA 4 ² | NEMA 4X | | | | | |
| Input (Speed) ³ | 4-20mA / Pot | Front Panel Pushbuttons | | | Pushbuttons (Manual) / 4-20mA (Automatic) | | |
| Output (Speed) | N/A | Speed Sensor | | | 4-20mA / Speed Sensor | | |
| Overload (1 min) | 150% | 200% | | | | | |
| Transient Protect | Gmov | | | | | | |
| Configurable Inputs | N/A | Master Follower, Inhibit, E-Stop, Jog, Preset Speeds | | | | | |
| Configurable Outputs | N/A | Drive Running, Speed Outside Limits, Speed Sensor Loss, Master Reference Loss, more... | | | | | |
| Regulation / Range | ± 1% / 50:1 | ± 1/2 RPM / 50:1+ | | | | | |
| Preset Speeds | Speed Pot | Up to 3 When Using Display and Configurable Inputs at Jog Speed | | | | | |
| Modes | Auto/Manual | Auto/Manual Rate or Time; Master/Follower Ratio Control | | | | | |
| Agency | UL / RoHS | | | | | | |

¹Auto-Sensing ²NEMA 4X available ³253G includes Auto/Manual Switch; MD Series Requires Contact Input

TYPICAL APPLICATIONS



MD Plus SERIES SPEED SENSORS

PU Series

- 1 to 20 PPR
- Outdoor rated
- Simple install
- Value priced



CF Series

- 1 to 60 PPR
- Outdoor rated
- C face install
- In stock, ready to ship



FOR PRICE AND AVAILABILITY

sales@dartcontrols.com

(317) 873-5211

www.dartcontrols.com