



ASP40

PID Pump Control for Any Drive

The ASP40 from Dart Controls is a motor drive accessory that turns any basic variable speed drive (AC or DC) into a full-fledged PID loop controller. Pumps of any HP or type can be controlled using the ASP40.

Designed with pump applications in mind, the ASP40 offers the user:

- ✓ Accuracy and Repeatability
- ✓ Closed-Loop Precision*
- ✓ Auto (Remote)/ Manual (Local) Operation
- ✓ 4-20mA plc/SCADA Interface
- ✓ Serial plc/SCADA Interface
- ✓ I/O for Mode, Enable, Alarms
- ✓ Maintenance Timer Feature
- ✓ Programmable Display in Engineering Units

Peristaltic

Chemical

Dosing

Feed

Mixing

Blending

Injection

Down-hole

OEM

MRO/Plant



5000 W. 106th Street
Zionsville, IN USA

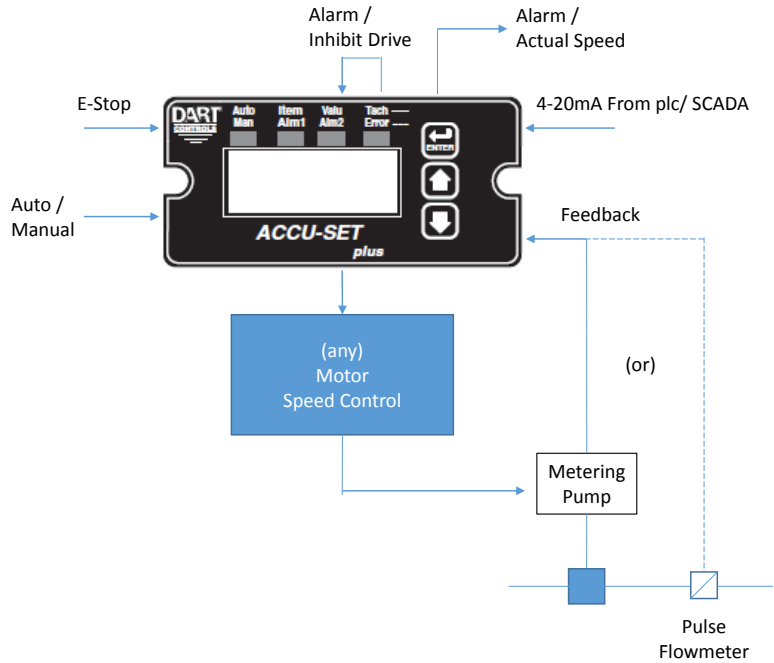
www.dartcontrols.com

317-873-5211

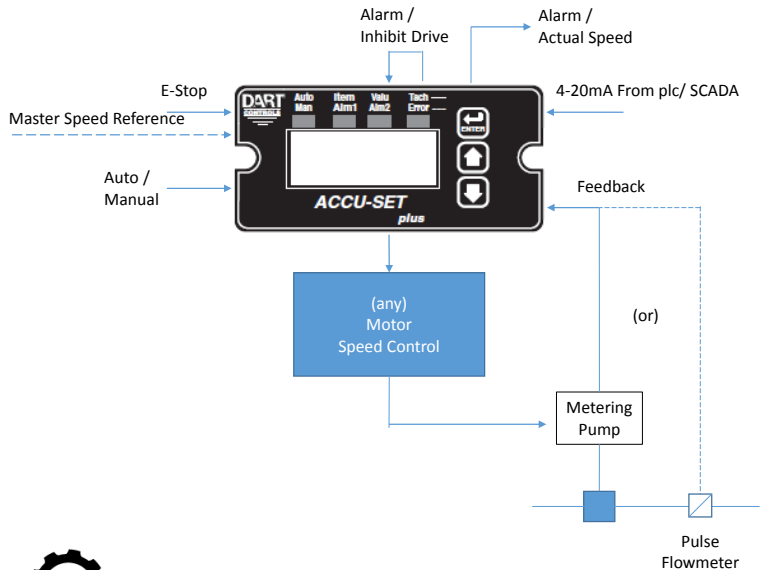
ASP40

PID Pump Control for Any Drive

Typical Pump Application



Follower Application



Why take the time and money to commission a plc to do what this device can do, for a fraction of the cost?

5000 W. 106th Street
Zionsville, IN USA
317-873-5211
www.dartcontrols.com



Available From