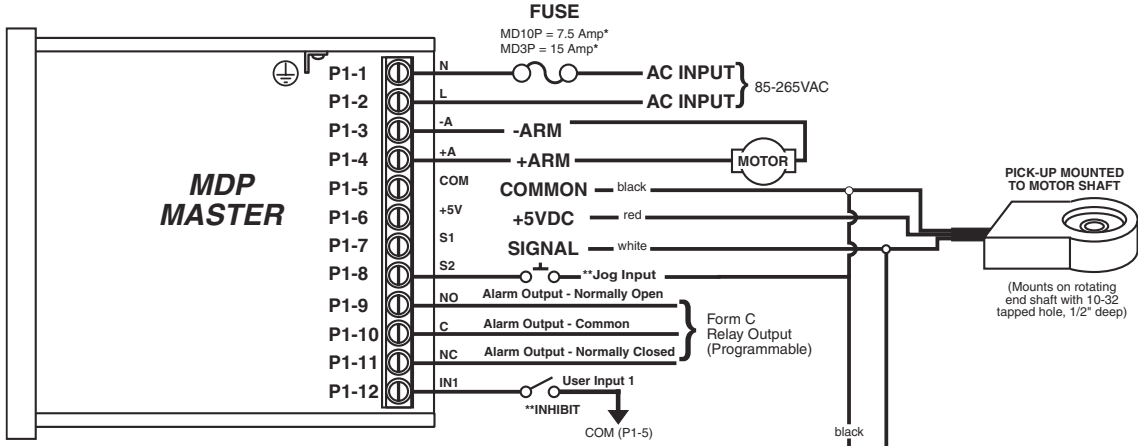


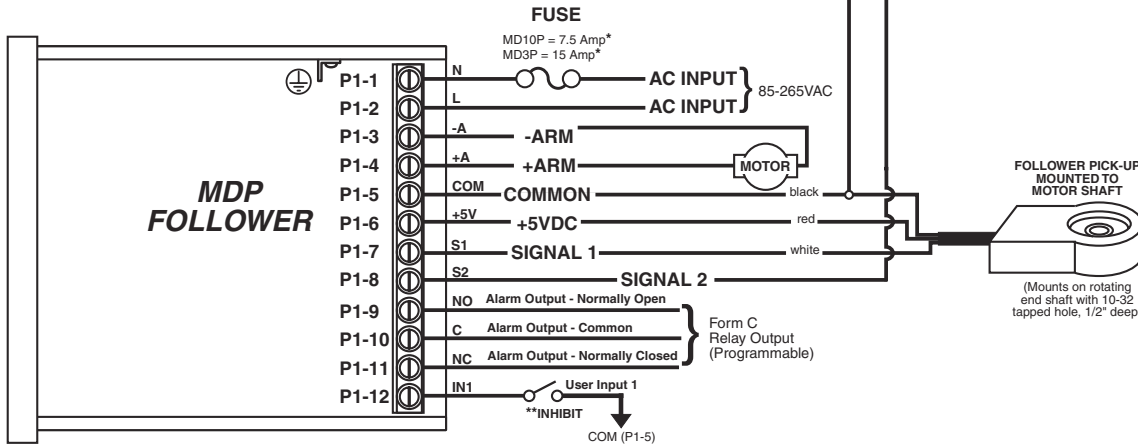
MDP Hook-Up Diagrams

P1 Terminal Block Hook-Up Diagrams



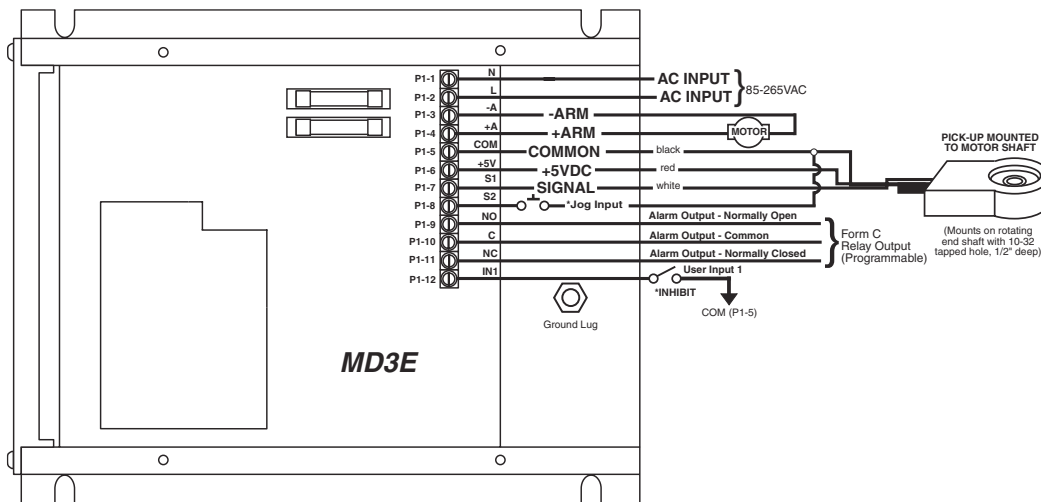
* For AC inputs utilizing two hot lines, both inputs should be protected with appropriately sized fuses or circuit breakers.

** P1-8 & P1-12 user input may be programmed for a number of functions. Including (jog, inhibit, etc.)



* For AC inputs utilizing two hot lines, both inputs should be protected with appropriately sized fuses or circuit breakers.

** P1-8 & P1-12 user input may be programmed for a number of functions. Including (jog, inhibit, etc.)



* P1-8 & P1-12 user input may be programmed for a number of functions. Including (jog, inhibit, etc.)