

# AC03 Hook-up Sheet

## WARRANTY

**Dart Controls, Inc. (DCI)** warrants its products to be free from defects in material and workmanship. The exclusive remedy for this warranty is DCI factory replacement of any part or parts of such product which shall within 12 months after delivery to the purchaser be returned to DCI factory with all transportation charges prepaid and which DCI determines to its satisfaction to be defective. This warranty shall not extend to defects in assembly by other than DCI or to any article which has been repaired or altered by other than DCI or to any article which DCI determines has been subjected to improper use. DCI assumes no responsibility for the design characteristics of any unit or its operation in any circuit or assembly. This warranty is in lieu of all other warranties, express or implied; all other liabilities or obligations on the part of DCI, including consequential damages, are hereby expressly excluded.

NOTE: Carefully check the control for shipping damage. Report any damage to the carrier immediately. Do not attempt to operate the drive if visible damage is evident to either the circuit or to the electronic components.

All information contained in this manual is intended to be correct, however information and data in this manual are subject to change without notice. DCI makes no warranty of any kind with regard to this information or data. Further, DCI is not responsible for any omissions or errors or consequential damage caused by the user of the product. DCI reserves the right to make manufacturing changes which may not be included in this manual.

### WARNING

IMPROPER INSTALLATION OR OPERATION OF THIS CONTROL MAY RESULT IN INJURY TO PERSONNEL OR ELECTRONIC FAILURE. THE CONTROL MUST BE INSTALLED AND GROUNDED IN ACCORDANCE WITH LOCAL, STATE, AND NATIONAL SAFETY CODES. AT NO TIME SHOULD THE CIRCUIT CONTINUITY BE CHECKED BY SHORTING TERMINALS WITH A SCREWDRIVER OR OTHER METAL DEVICE.

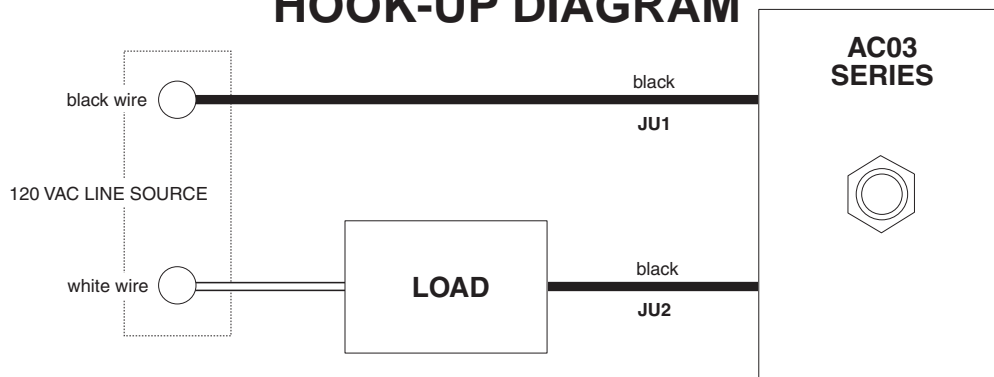
## SPECIFICATION DESCRIPTIONS

Variable AC voltage supply. For use with resistive loads, permanent split-capacitor, permanent split-phase, or universal motor (**not for capacitor start motors**). Typically used on small blowers and lighting.

<u>MODEL</u>	<u>DESCRIPTION</u>	<u>INPUT</u>	<u>MAX AMPS</u>	<u>WEIGHT</u>
AC03-05S	Control with speedpot on-off switch	120VAC	2.5	3.0oz.

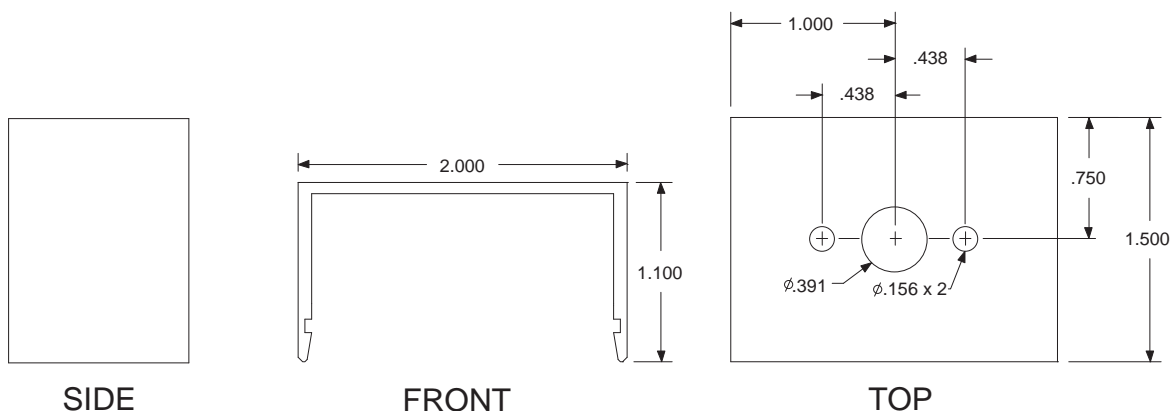
U.L.File # E78180

## HOOK-UP DIAGRAM



Note: The Speedpot will be secured by a customer supplied 3/8" Tinnerman Clip or 3/8" self threading nut.

## HEATSINK DIMENSIONS



A-1-2731D  
LT04