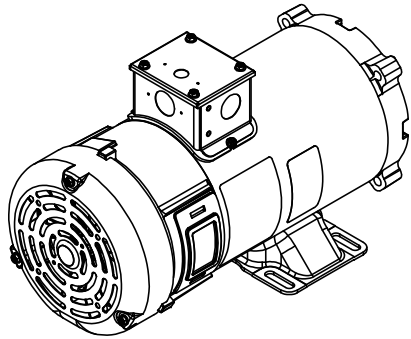
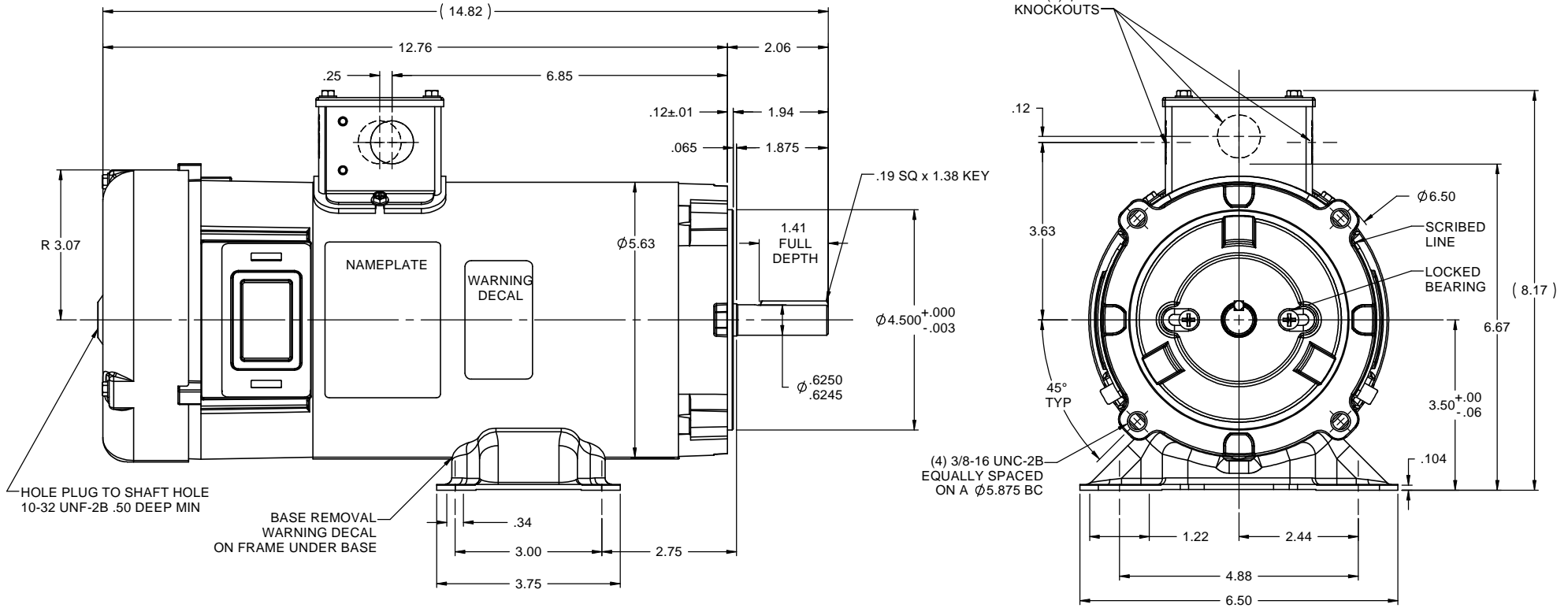


RBC PROPRIETARY AND CONFIDENTIAL INFORMATION
 This document is the property of REGAL BELOIT CORPORATION ("RBC") including its subsidiaries and divisions and contains proprietary information of RBC. This document is loaned on the express condition that neither it nor the information contained therein shall be disclosed to others without the express written consent of RBC, and that the information shall be used by the recipient only as approved expressly by RBC. This document shall be returned to RBC upon its request. This document may be subject to certain restrictions under U.S. export control laws and regulations.



- NOTES:
- 1) MAXIMUM FACE RUNOUT .004 T.I.R.
 - 2) MAXIMUM PILOT ECCENTRICITY .004 T.I.R.
 - 3) PERMISSIBLE SHAFT RUNOUT .002 T.I.R.
 - 4) GASKETS THROUGHOUT

PREASSIGNED PRODUCTION # 109193.00

TOLERANCES UNLESS SPECIFIED				LEESON	ELECTRIC MOTORS GEARMOTORS AND DRIVES	DRAWN SAD 10/6/09
NO	REVISION	BY & DATE	CHK LANG $\pm 1/2^\circ$			
				X	$\pm .1$	APPR
				XX	$\pm .03$	SCALE 1:2
				XXX	$\pm .005$	REF OLPR090279
				XXXX	$\pm .0005$	FMF
						PAGE OF
						REV
THIRD ANGLE PROJECTION				TITLE OUTLINE		SIZE B
NETWORK FILE NAME				48 FRAME DC - S56C MOUNT		DRAWING NO 134OUTLINE-09
RFP				FINISH		
PREV				PAGE OF		