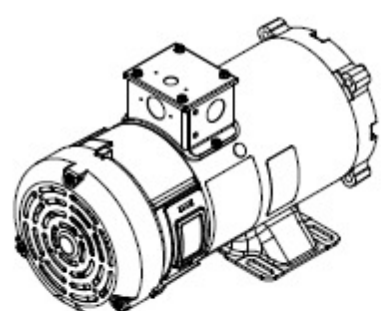
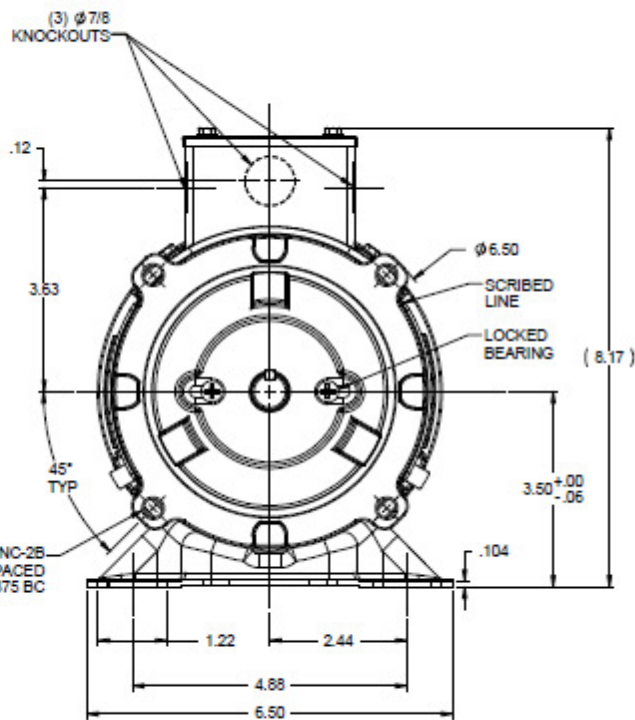
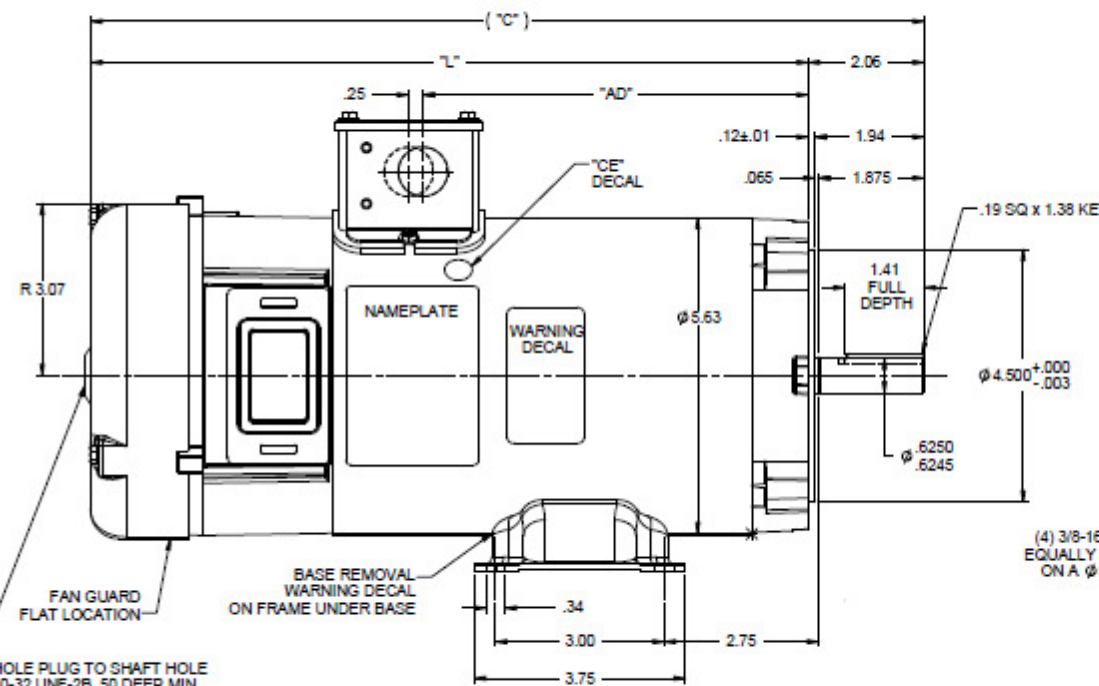


IPC PROPRIETARY AND CONFIDENTIAL INFORMATION  
 This document is the property of IPSCAL BELOIT CORPORATION (IPSC) including its subsidiaries and divisions and contains proprietary information of IPSC. The document is loaned to the recipient under the condition that the information contained therein shall be returned to the recipient and not be disseminated to others without the express written consent of IPSC, and that the information shall be used by the recipient only as approved expressly by IPSC. This document shall be returned to IPSC upon demand. The document may be subject to other restrictions under U.S. export control laws and regulations.



- NOTES:  
 1) MAXIMUM FACE RUNOUT .004 T.I.R.  
 2) MAXIMUM PILOT ECCENTRICITY .004 T.I.R.  
 3) PERMISSIBLE SHAFT RUNOUT .002 T.I.R.  
 4) GASKETS THROUGHOUT

CATALOG No.	CUST. MODEL No.	H.P.	VOLTS	RPM	"C"	"L"	"AD"
109192.00	LM90T100	1	90	1750	14.82	12.76	6.85
109193.00	LM180T100	1	180	1750	14.82	12.76	6.85
109194.00	LM180T150	1 1/2	180	1750	16.82	14.76	8.85

NO.	REVISION	BY & DATE	CHK	ANG	FINISH	DATE	REV	SIZE	DRAWING NO	REV
03	ADDED 109193.00 TO TABLE PER MU95147	IPG 4/8/2010	SK	x	±1					
02	ADDED TABLE PER 109194.00. ADDED CE DECAL	IPG 2/26/2012	SK	xxx	±.03					
01	ADDED NOTE ABOUT FAN GUARD FLAT LOCATION, ISAAC	IPG 12/11/2009	xxx	xxx	±.005					
00	09-4813		xxxxx	xxx	±.0005					

TITLE: OUTLINE  
 48 FRAME DC - S56C MOUNT  
 MTL:

NETWORK FILE NAME: 031975  
 DRAWN: SAD 12/2/09  
 CHK: SK 12/2/09  
 APPR:  
 SCALE: 1/2  
 REF: 133OUTLINE-09  
 FWF: 109192.00  
 PAGE: OF  
 SIZE: B  
 DRAWING NO: 031975  
 REV: 03

Dart Model LM180T150