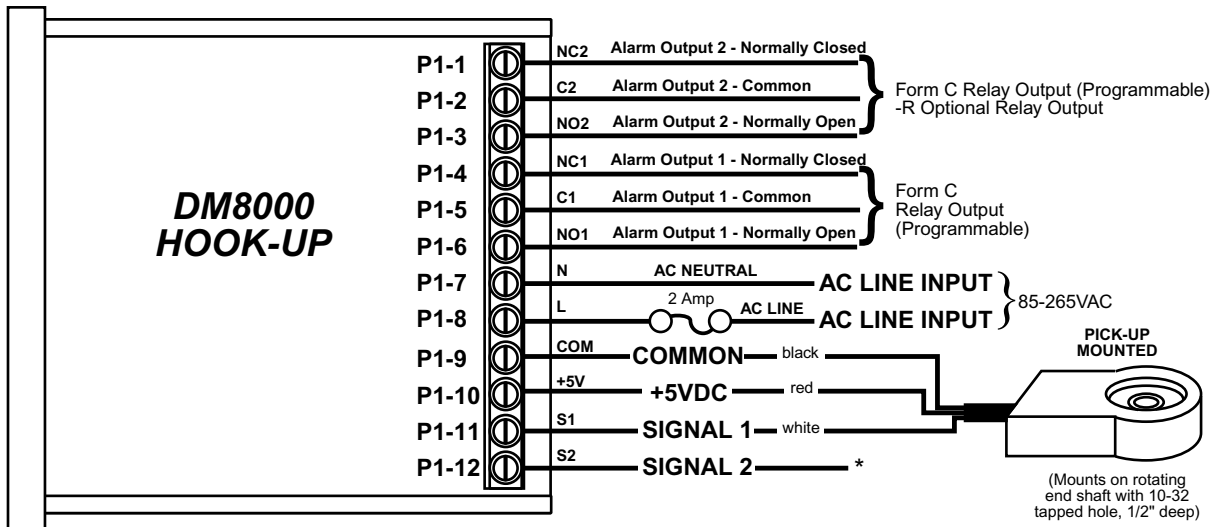


DM8000 Hook-Up Diagram



* Used for various functions, including quadrature counter mode.