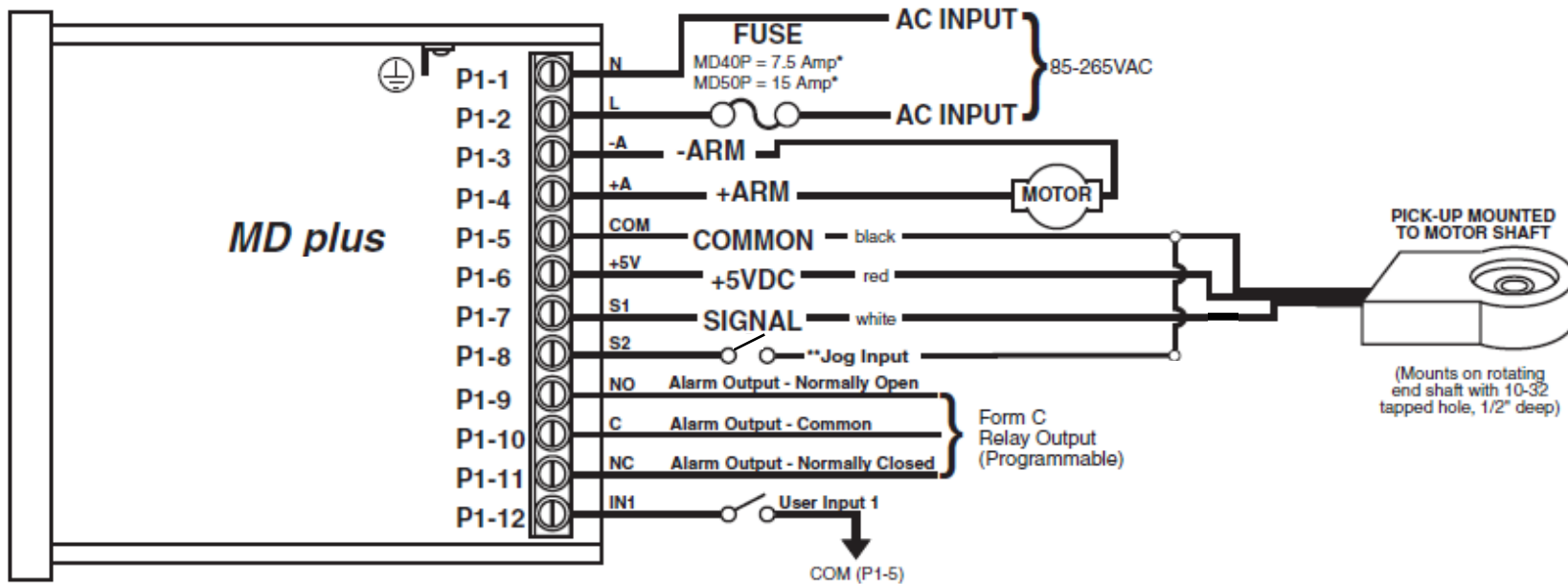


Application Note – MD Series Multiple Speed Operation

Requirement: Operate the MD Series at two or three preset speeds

Solution: Use the UIN1 and / or S2 inputs in Jog mode – when either switch input is closed the drive will change to that input's preset speed. When open, the drive will follow the display speed.

Valid for Models: MD10P, MD3P, MD3E; MD40P, MD50P, MD50E (MD20P, MD30P and MD30E may operate up to six (6) preset speeds)



Parameter Settings: Consult manual but concept is to use UIN1 and/or S2 in JOG mode, with associated Preset speed as the 2nd or 3rd speed set point when activated