

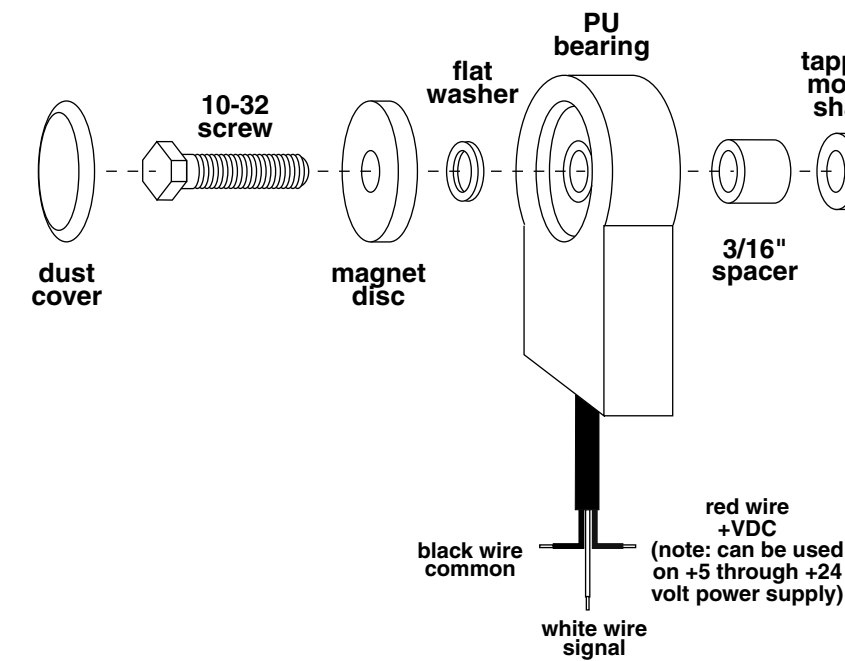
PU SERIES INSTALLATION & DIMENSIONS

Step 1 Tap motor shaft for 10-32 screw, 1/2" deep

Step 2 Remove cap from screw

Step 3 Remove black dust cover

Step 4 Install and tighten PU assembly



No other screws are necessary, as the cord will keep the unit from rotating. The PU gives a high signal when the North Pole in the magnet crosses the hall-effect transistor. The signal is switched off when the South Pole crosses the hall-effect transistor. The result is a square wave whose frequency is proportional to the speed of the shaft that the PU is mounted on. The number of North/South Pole pairs directly affects the output.

Note:

If installing the unit on a motor purchased from Dart, the motor shaft is already drilled and tapped. If the motor is fan-cooled (TENV), remove the plug in the center of the fan guard before installing the pickup. Otherwise, damage to the pickup may occur.

Step 5 Secure black cover onto housing

