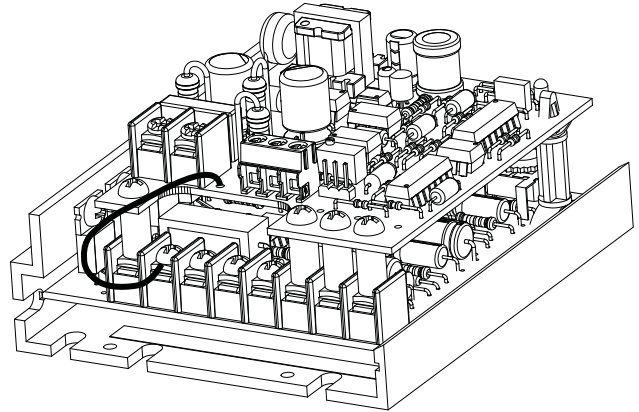
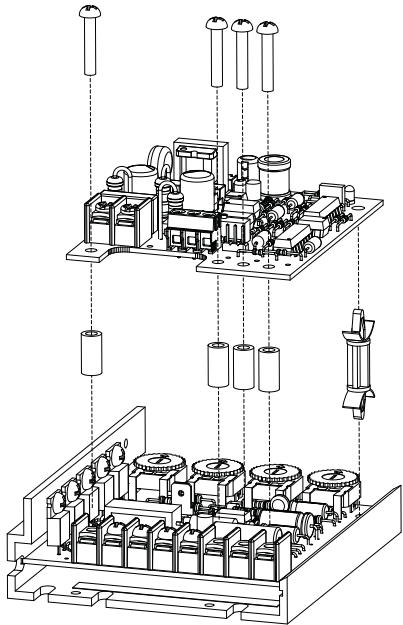


# -55H/-56H Installation Sheet

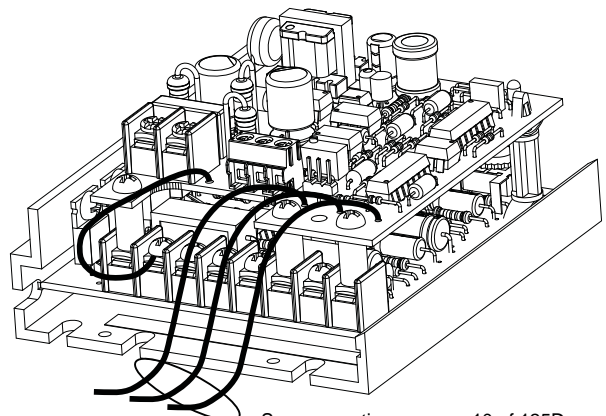
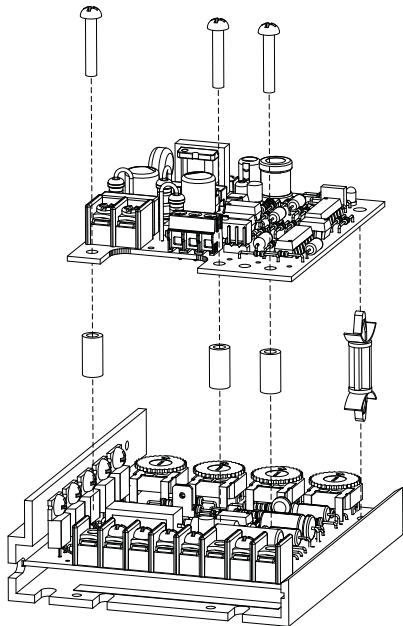
## Installing the -55H Option Board to a 125D Control



- 1) Remove 4 screws on the terminal block for AC1(L), HI, W, and LO.
- 2) Place 4 3/4" screws through board and spacer and screw into place.
- 3) Snap plastic standoff into 125 Board.
- 4) Place Black wire from -55H Option Board under screw terminal AC2 (N)

## Installing the -56H Option Board to a 125D Control

- 1) Remove 3 screws on the terminal block for AC1(L), HI, and LO.
- 2) Place 3 3/4" screws through board and spacer and screw into place.
- 3) Snap plastic standoff into 125 Board.
- 4) Place Black wire from -55H Option Board under screw terminal AC2 (N)



See connection on page 10 of 125D manual