

# Application Solution - DC Pump Drives

Dart Controls offers DC drives with the essential features required for water / wastewater and chemical feed applications. These drives integrate easily with PLC / SCADA systems providing 4-20mA signals for pump set speed. Advanced Digital DC drives offer verified actual speed feedback, diagnostic and process alarms and much more....

## TRADITIONAL DC DRIVE

The 253G-200E-7 is our most popular DC drive. This enclosed NEMA 4 / 4X drive includes a dent / shatter resistant GE polymer plastic cover. This dual source voltage drive offers an adjustable HP range from 1/8 to 2HP – one drive covers all your small pump needs. This model includes an integral MAN / OFF / AUTO mode switch conveniently mounted in the cover – allowing for both local speed pot and remote 4-20mA speed control.



## ADVANCED DIGITAL DC DRIVE

The MD *Plus* Series is our latest Digital DC drive offering. This  $\mu$ Processor-based control offers many unique features not found in any other DC drive – digital closed loop PID control, integral programmable display, auto-sensing dual voltage source power, isolated 4-20mA input (set speed) and output (actual speed), programmable alarm / drive status / health outputs, multiple preset speed operation, and much more.....



Dart Controls, Inc. 5000 W. 106<sup>th</sup> Street Zionsville, IN USA  
sales@dartcontrols.com (317) 873-5211 www.dartcontrols.com

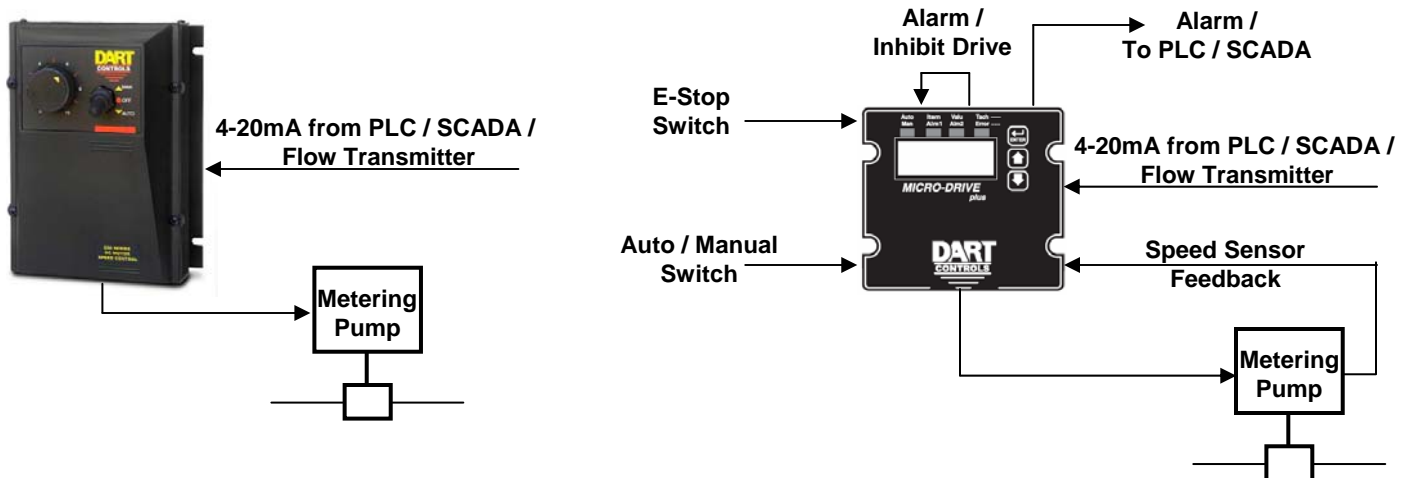


# SPECIFICATIONS

	253G-200E-7	MD40P	MD50P	MD50E	MD40P-420	MD50P-420	MD50E-420
Voltage In <sup>1</sup>	120/240 VAC	120/240 VAC	120/240 VAC	120/240 VAC	120/240 VAC	120/240 VAC	120/240 VAC
Voltage Out	90/180 VDC	90/180 VDC	90/180 VDC	90/180 VDC	90/180 VDC	90/180 VDC	90/180 VDC
HP	1/8 – 2HP	1/50 – 1HP	1/50 – 2HP				
Enclosure	NEMA 4 <sup>2</sup>	NEMA 4X					
Input (Speed) <sup>3</sup>	4-20mA / Pot	Front Panel Pushbuttons			Pushbuttons (Manual) / 4-20mA (Automatic)		
Output (Speed)	N/A	Speed Sensor			4-20mA / Speed Sensor		
Overload (1 min)	150%	200%					
Transient Protect	Gmov						
Configurable Inputs	N/A	Master Follower, Inhibit, E-Stop, Jog, Preset Speeds					
Configurable Outputs	N/A	Drive Running, Speed Outside Limits, Speed Sensor Loss, Master Reference Loss, more...					
Regulation / Range	± 1% / 50:1	± 1/2 RPM / 50:1+					
Preset Speeds	Speed Pot	Up to 3 When Using Display and Configurable Inputs at Jog Speed					
Modes	Auto/Manual	Auto/Manual Rate or Time; Master/Follower Ratio Control					
Agency	UL / RoHS						

<sup>1</sup>Auto-Sensing <sup>2</sup>NEMA 4X available <sup>3</sup>253G includes Auto/Manual Switch; MD Series Requires Contact Input

# TYPICAL APPLICATIONS



# MD Plus SERIES SPEED SENSORS

## PU Series

- 1 to 20 PPR
- Outdoor rated
- Simple install
- Value priced



## CF Series

- 1 to 60 PPR
- Outdoor rated
- C face install
- In stock, ready to ship



# FOR PRICE AND AVAILABILITY

[sales@dartcontrols.com](mailto:sales@dartcontrols.com)

**(317) 873-5211**

[www.dartcontrols.com](http://www.dartcontrols.com)