

DECLARATION OF CONFORMITY (EMC & LVD)

We **DART CONTROLS, INC.**

declare under our sole responsibility that the product

LIGHT INDUSTRIAL MOTOR CONTROLLER

MODELS 123D-C, 125D-12C, 125DV-C,
may be followed by option or combination of options
-1, -2A, -5, -7, -15B, -K, -LX, -PX, -TX
(where X represents four-digit number)

manufactured at:

DART CONTROLS, INC.

to which this declaration relates, is in conformity with the following standards:

**EN55011:91 Class A, EN50082-1, EN61000-4-2, EN61000-4-3,
EN61000-4-4, EN61000-4-5, EN61000-4-11, EN60335-1:95**

following the provisions of the LVD directive 73/23/EEC and EMC directive 89/336/EEC as amended by 92/31/EEC and 93/68/EEC.

Supplementary Information: To conform with the EMC directive, see Instruction Manual supplement for proper installation of controller.

Technical documentation kept by DART CONTROLS, INC., which will be made available upon request to any notified authority.

(Manufacturer)

Dart Controls, Inc.
5000 W. 106th Street
Zionsville, IN 46077 USA

Mike Lunsford

Date: February 24, 2000

Final acceptance of this component in the end product is subject to specific application.

011-44-1299-2050859

DART

CONTROLS, INC.

Guidelines for wiring a DC Motor Speed Control when used with a suitable AC Line RFI (EMI) Filter

AC power leads between filter output and DC motor speed control input should be as short as possible. Use shielded wire with both ends of shield grounded.

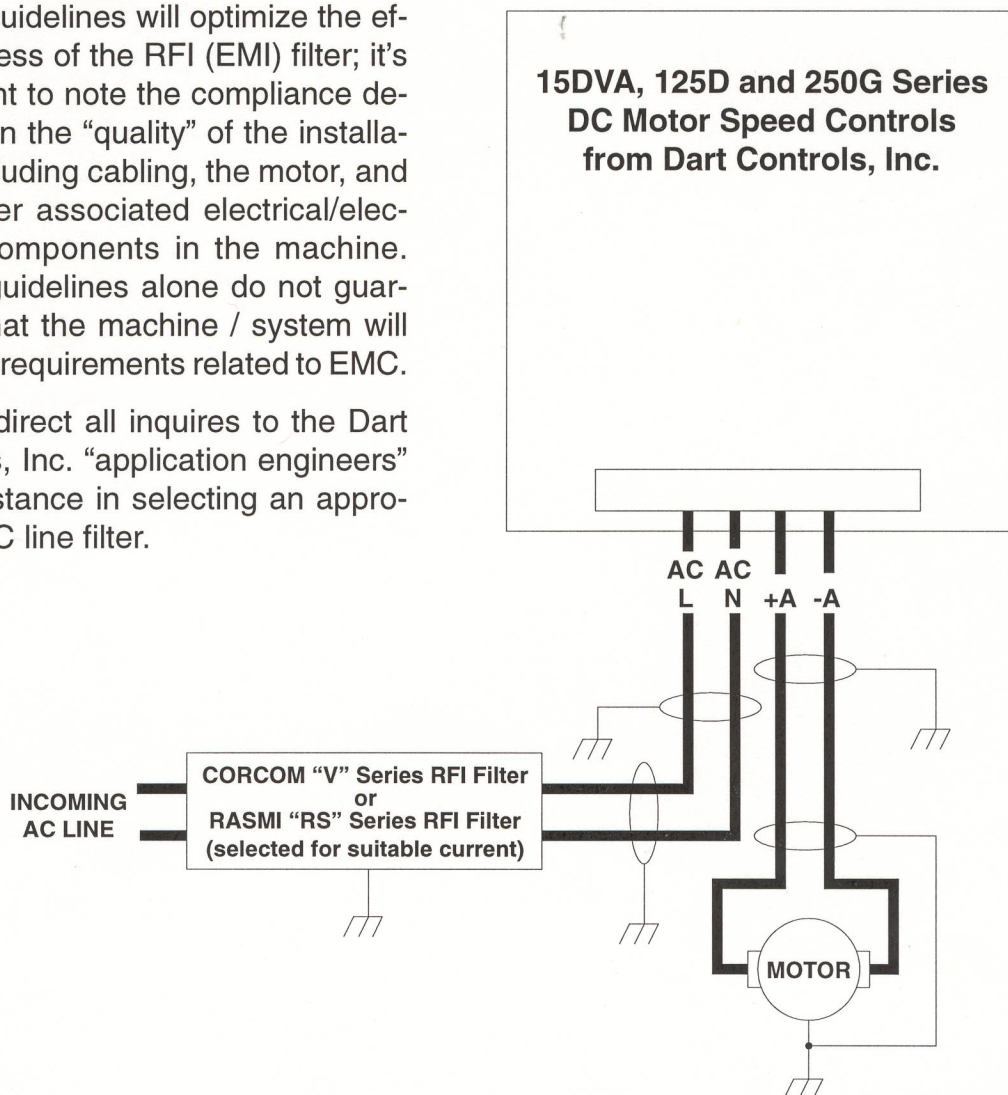
Armature leads between DC motor speed control and motor should be as short as possible. Use shielded wire with both ends of shield grounded, or run motor leads within a metal conduit.

Whenever possible, mount the DC motor speed control within an enclosure.

It is the responsibility of the O.E.M. / machine builder / system integrator to demonstrate compliance of the finished machine to the European Union Electromagnetic Capability (EMC) Directive 89/336EEC as amended; and to affix the C.E. mark to the machine.

These guidelines will optimize the effectiveness of the RFI (EMI) filter; it's important to note the compliance depends on the "quality" of the installation, including cabling, the motor, and any other associated electrical/electronic components in the machine. These guidelines alone do not guarantee that the machine / system will meet all requirements related to EMC.

Please direct all inquires to the Dart Controls, Inc. "application engineers" for assistance in selecting an appropriate AC line filter.



For more information on Dart Controls, please call (317) 873-5211 or fax (317) 873-1105.

Dart Controls, Inc. • P.O. Box 10 • 5000 W. 106th Street • Zionsville, IN 46077