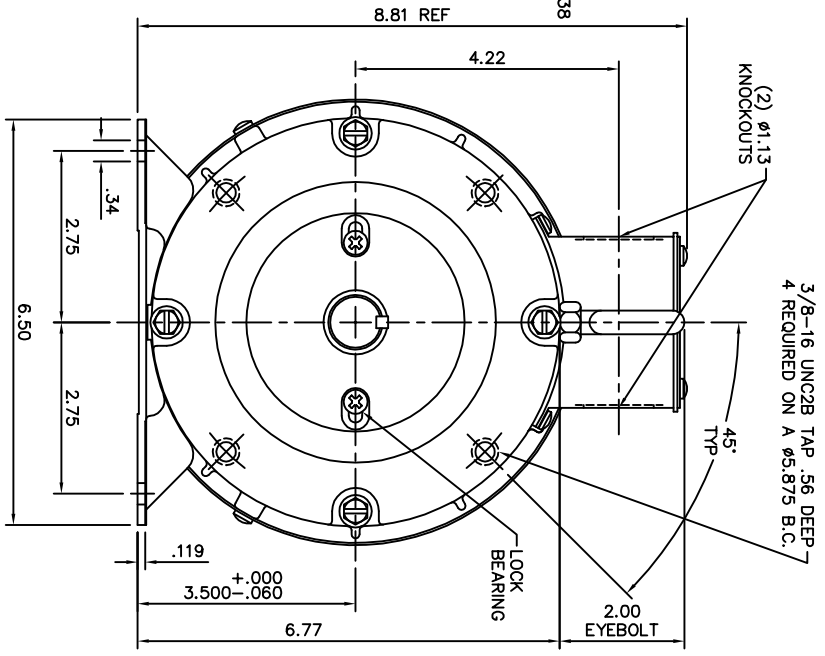
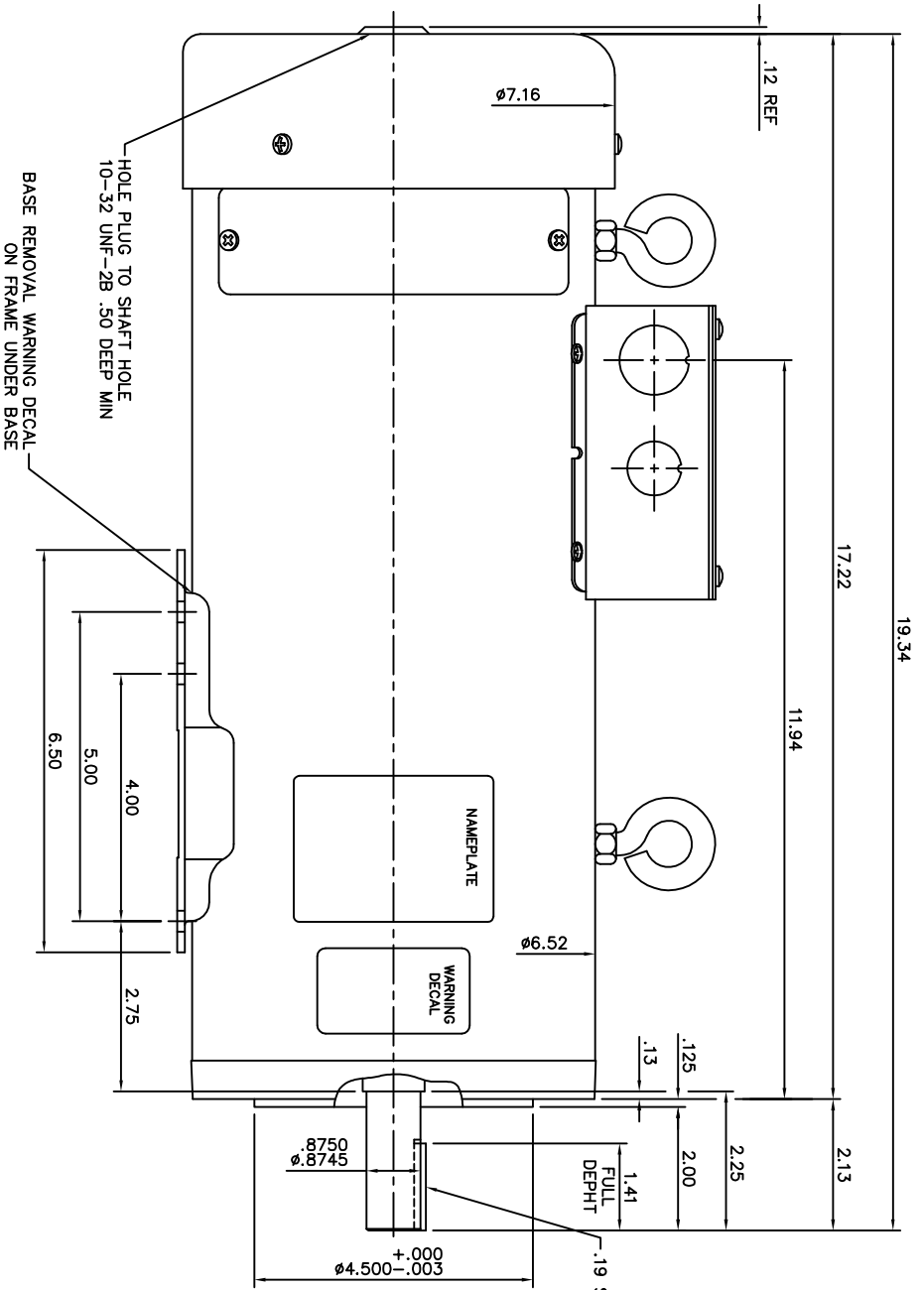


136OUTLINE-09



- NOTES:
1. MAXIMUM FACE RUNOUT TO BE .004 T.I.R.
 2. MAXIMUM PILOT ECCENTRICITY .004 T.I.R
 3. PERMISSIBLE SHAFT RUNOUT .002 T.I.R.
 4. GASKETS THROUGHOUT.

UNLESS OTHERWISE SPECIFIED		UNLESS OTHERWISE SPECIFIED		UNLESS OTHERWISE SPECIFIED	
DEC.	INCHES	DEC.	INCHES	DEC.	INCHES
X	±.1	X	±.1	X	±.1
XX	±.03	XX	±.03	XX	±.03
XXX	±.005	XXX	±.005	XXX	±.005
XXXX	±.0006	XXXX	±.0006	XXXX	±.0006
MATH		MATH		MATH	
FINISH		FINISH		FINISH	
CAD FILE		CAD FILE		CAD FILE	
136OUTLINE-09		136OUTLINE-09		136OUTLINE-09	
SIZE		SIZE		SIZE	
B		B		B	
DRAWING NO.		DRAWING NO.		DRAWING NO.	
136OUTLINE-09		136OUTLINE-09		136OUTLINE-09	
REV.		REV.		REV.	
DATE		DATE		DATE	
10/6/09		10/6/09		10/6/09	
DRAWN		DRAWN		DRAWN	
SAO		SAO		SAO	
CHECKED		CHECKED		CHECKED	
APPD		APPD		APPD	
SCALE		SCALE		SCALE	
1-2		1-2		1-2	
REF		REF		REF	
QUPRO0281		QUPRO0281		QUPRO0281	
FINI		FINI		FINI	
PREV		PREV		PREV	
BY & DATE		BY & DATE		BY & DATE	
THIS DRAWING IN DESIGN AND DETAIL IS OUR PROPERTY AND MUST NOT BE USED EXCEPT IN CONNECTION WITH THE CONTRACT UNDER WHICH IT WAS PREPARED. ANY UNAUTHORIZED REPRODUCTION OR TRANSMISSION OF THIS DOCUMENT IN ANY FORM OR BY ANY MEANS, ELECTRONIC OR MECHANICAL, INCLUDING PHOTOCOPYING, RECORDING, OR BY ANY INFORMATION STORAGE AND RETRIEVAL SYSTEM, IS STRICTLY PROHIBITED.		THIS DRAWING IN DESIGN AND DETAIL IS OUR PROPERTY AND MUST NOT BE USED EXCEPT IN CONNECTION WITH THE CONTRACT UNDER WHICH IT WAS PREPARED. ANY UNAUTHORIZED REPRODUCTION OR TRANSMISSION OF THIS DOCUMENT IN ANY FORM OR BY ANY MEANS, ELECTRONIC OR MECHANICAL, INCLUDING PHOTOCOPYING, RECORDING, OR BY ANY INFORMATION STORAGE AND RETRIEVAL SYSTEM, IS STRICTLY PROHIBITED.		THIS DRAWING IN DESIGN AND DETAIL IS OUR PROPERTY AND MUST NOT BE USED EXCEPT IN CONNECTION WITH THE CONTRACT UNDER WHICH IT WAS PREPARED. ANY UNAUTHORIZED REPRODUCTION OR TRANSMISSION OF THIS DOCUMENT IN ANY FORM OR BY ANY MEANS, ELECTRONIC OR MECHANICAL, INCLUDING PHOTOCOPYING, RECORDING, OR BY ANY INFORMATION STORAGE AND RETRIEVAL SYSTEM, IS STRICTLY PROHIBITED.	

REASSIGNED PRODUCTION # 109195.00



ELECTRIC MOTORS
GEARMOTORS
AND DRIVES

OUTLINE - 56 FRAME
140TC FACE AND BASE
TEFC - PMDC MOTOR