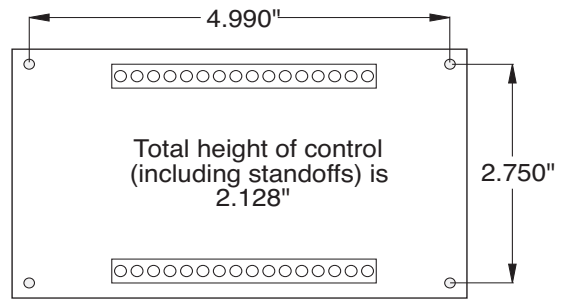


MSC38A MOUNTING DIMENSIONS



MSC38A Series Eight Channel Master Speed Control

A reliable, economical master speed control unit for operating multiple variable speed drives from a single 5K master potentiometer or field selectable DC voltage range of 0-5 through 0-25 VDC OR 0-25 through 0-200 VDC input (grounded or ungrounded).

Drives may be controlled to maintain identical speeds or individually pre-set proportional speeds with respect to the MSC speed setting.

STANDARD FEATURES

- 120 VAC $\pm 10\%$, 50/60 Hz. line source
- Eight (3-wire) output channels - each optically isolated
- MSC38A may be cascaded to operate more than 8 drives
- Master command input circuit electrically isolated from AC
- Rapid response time
- European style terminal block connectors
- Supply voltage of driven unit is 5-25 VDC maximum
- 5K ohm speedpot with 8" leads, dial, and knob for remote mounting included
- Interfaces with Dart 125, 250, or 500 series controls or most other manufacturer's drives
- Outputs are controlled via a 5K ohm master speedpot or a field selectable DC voltage signal (0-5 through 0-25 VDC OR 0-25 through 0-200 VDC)
- Each output is capable of driving input impedances as low as 500 ohm

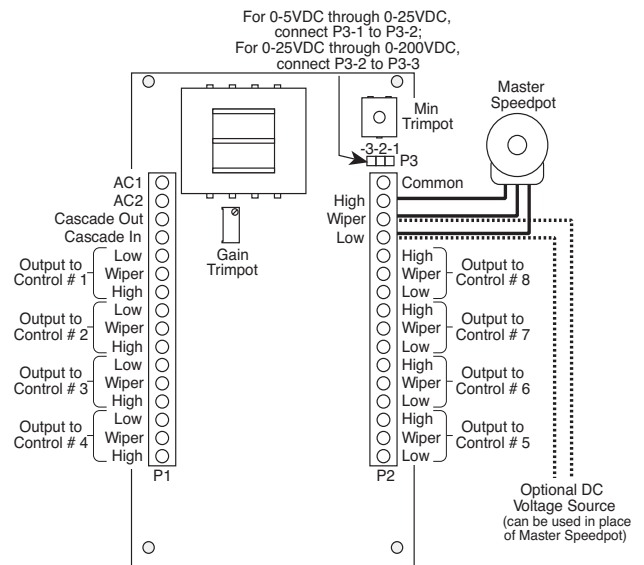
DIMENSIONAL SPECIFICATIONS

WIDTH	HEIGHT	LENGTH	WEIGHT
<i>English (inches)</i>			
3.13	2.13	5.40	7.4 oz
<i>Metric (centimeters)</i>			
7.95	5.41	13.73	208.3 gm

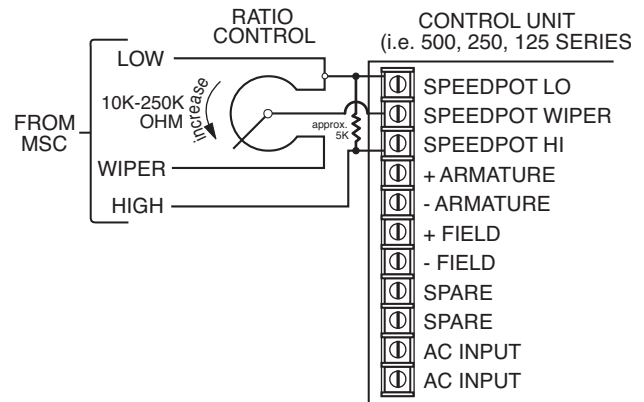
OPERATING CONDITIONS

Temperature..... -10° to +45° C. (15° to 113° F.)
 AC Input Voltage $\pm 10\%$ Rated Line Voltage
 Input Frequency 50/60 Hertz
 Output Voltage... 0-5 through 0-25 VDC each channel
 Output Current 10 mA per channel

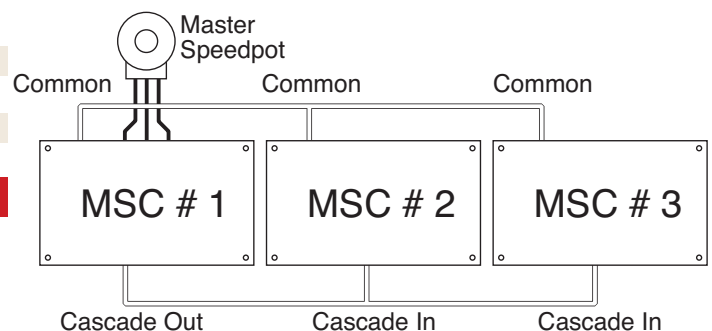
MSC38A HOOK-UP FOR DIRECT OPERATION



INPUT HOOK-UP FOR RATIO OPERATION



CASCADE HOOK-UP FOR BASIC CONTROLS



For more than 8 outputs using a single Master speedpot, controls can be cascaded together via the cascade and common terminals shown above.