

# DP4 Series Digital Potentiometer with Scalable Display & User I/O



The DP4 is a microprocessor based digital speed potentiometer that can directly replace a conventional 3-wire analog speedpot or motorized speedpot for most AC and DC drives. The desired set speed is entered into the large 1/2 inch LED display through the convenient front-panel interface, and display units are now programmable for virtually any unit of measure.

The attractive panel mount unit is easy to install in industry standard 1/8 DIN cut-out dimensions. The electrically isolated common signal permits direct wiring from the unit terminal block to the drive's potentiometer terminal points.

The DP4 offers the same enhanced display options and capabilities featured in our other digital control products, as well as the Universal Power Supply and rugged screw type terminal strip.

## TYPICAL APPLICATIONS

The DP4 is ideal for new equipment as well as for retrofitting most AC or DC drive systems where precise, repeatable speed setting and digital readout are desired. The DP4 is also ideal in applications where high vibration and other environmental factors can cause normal speedpot settings to drift.

## STANDARD FEATURES

- Inhibit function selectable from a number of modes
- Control mode selectable between rate and time
- Jog function selectable from several modes
- Factory default function – reset drive to factory setting
- User-default storage capability allows user to store/recall a known good set of parameters while experimenting with new settings
- NEMA 4X Rating (faceplate with supplied gasket)
- Supports bipolar connections for regenerative drives

## DIMENSIONAL SPECIFICATIONS

MODEL	WIDTH	HEIGHT	DEPTH
	DP4 inches (millimeters)		
Housing	3.620 (91.95)	1.656 (42.06)	4.625 (117.47)
Lens	4.539 (115.29)	2.289 (58.13)	0.375 (9.52)

## DP4 SELECTION GUIDE

MODEL	INPUT	STD. SPEED RANGE
DP4	120/240 VAC	0–100% (0.1% Increments)

## OPTION DESCRIPTION

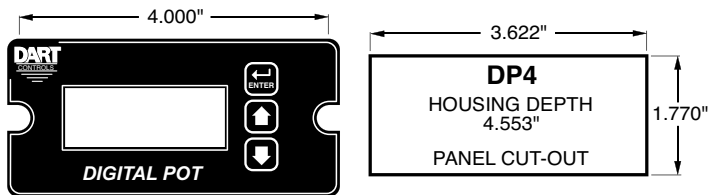
OPTION	SUFFIX
Provisions for remote pushbutton switches	-1
Blank Lexan	-9
Pluggable terminal strip	-P*

\*Check factory for availability.

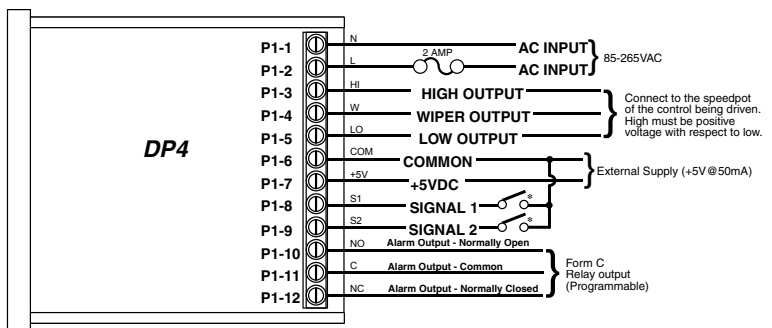
## OPERATING SPECIFICATIONS

Temperature.....	-10° to +45° C
AC input voltage.....	85–265 VAC
Input frequency .....	50/60 Hz
Output compatible.....	any drive input impedance of 1000 ohms to 10,000,000 ohms.
Output support .....	±10 VDC or lower or 0 to +20 VDC

## MOUNTING SPECIFICATIONS



## DP4 HOOK-UP



\* P1-8 & P1-9 signal inputs may be programmed for a number of functions.